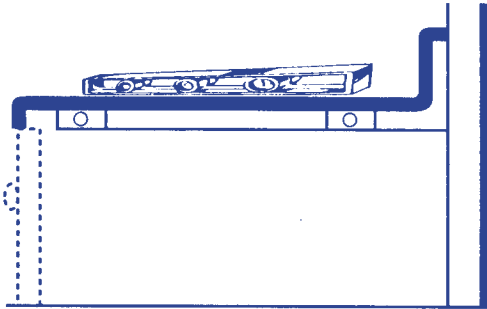


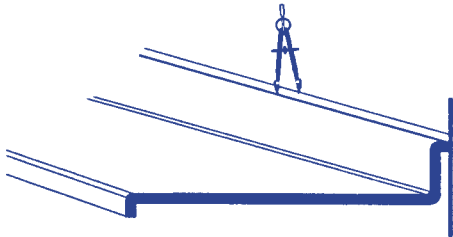
COUNTERTOP INSTALLATION

- (A) Ensure the cabinets are installed square, plumb and level.

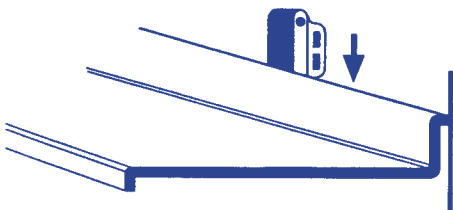


STRAIGHT COUNTERTOPS

- (B) Position countertops on the cabinets allowing appropriate overhang on the ends.
- (C) Using a compass and a sharp pencil, set the compass to the widest gap between the backsplash and the wall.



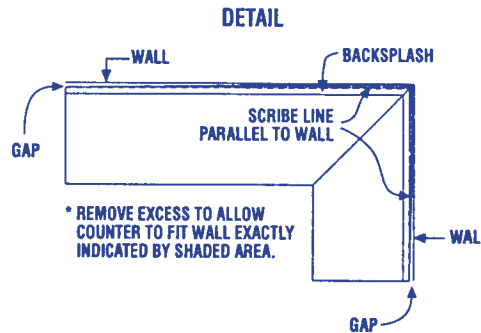
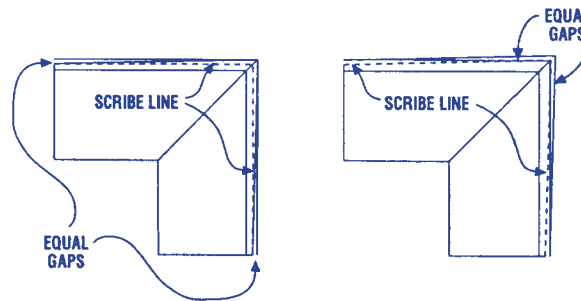
- (D) Keeping the compass tight to the wall move it along the wall transposing a pencil line on to the countertop backsplash matching the contours of the wall.
- (E) Move the countertop to a comfortable work place.
- (F) Using a belt sander or block plane, sand the excess material from the backsplash as indicated by the pencil line.



- (G) Put the countertop back in place on the cabinets. It should now fit the wall perfectly.
- (H) Fasten the countertop to the base cabinets using the appropriate size screws. There is usually a screw cleat or fastening bracket on the base cabinets.
- (I) Apply a small bead of caulk where the backsplash meets the wall for a professional, finished appearance.
- (J) Continue to cut the sink out using instructions supplied with the sink.

L-SHAPE COUNTERTOPS

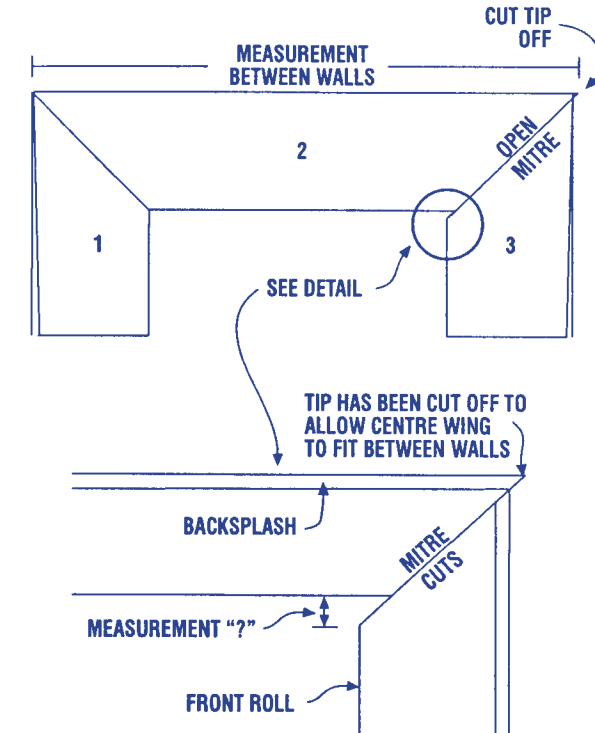
- (K) Position the countertop on the cabinets such that gaps on each wing of the top are equal.



- (L) Scribe the countertop following steps C & D above. The scribe line should be similar to the example above.
- (M) Continue to install the countertop following steps E, F, G, H, I and J above.

U-SHAPE COUNTERTOP

- (N) Start with the center wing. This is usually made longer to allow for scribing. Measure the distance between the walls and cut the tip off the miter such that it will fit into position on the cabinets.
- (O) Position all the pieces on the cabinets at this time.



- (P) You will notice that the last wing does not go all the way into place. Put it as far into place as possible keeping the miter cuts perfectly aligned. Measure the distance (?) as indicated in the example. Divide this dimension by 2.

Example: ? = 1" Therefore 1" divided by 2 = 1/2"

Set the compass to 1/2" (as per our example) and scribe wings 1 and 3 following step D above. Continue to scribe wing 2 following steps C & D.